

# DKL

Double Knob Line



**COMES**  
ELECTRONIC CLIMATE CONTROL

# DKL

## Double Knob Line

The Double Knob Line is designed to manage several functions in the vehicle air conditioning system, such as heating, ventilation (the speed control ventilation can be supplied either with 3 steps or with electronic speed regulator), air conditioning, air recirculation, defrost function, etc.

Control units in this line have two control knobs plus two push buttons and are fully backlit (all functions of the control unit, including the knobs, are backlit to allow the user to easily find them in the hours of darkness).

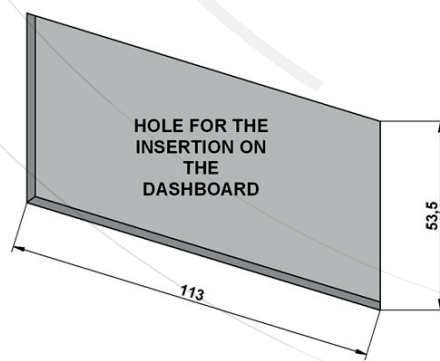
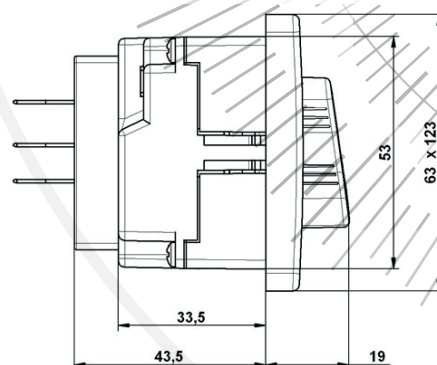
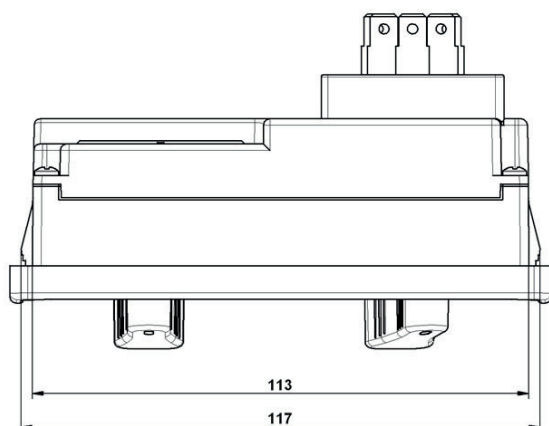
This line includes versions with either manual or automatic temperature control.

COMES control units are developed to get the maximum flexibility. If you are interested in functions which are not included above or other modifications, please do not hesitate to contact our technical department who will provide you with professional assistance.

### GENERAL PERFORMANCE, ELECTRONICAL AND ENVIRONMENTAL TESTS

Operating Voltage Range:	10.5 ÷ 16V / 18 ÷ 32V
Nominal Power Supply Voltage:	12V / 24V
Output Rated Current, each pin:	max 400mA
Operating Temperature Range:	from -40°C to 85 °C
Storage Temperature Range:	from -40°C to 90°C
Dust/Water Resistance on the Front Panel:	IP54
Over Voltage Protection	
Reverse Polarity Protection	
Short-Circuit Protection	
Electromagnetic Compatibility according to UNECE Regulation No.10	

### MECHANICAL DIMENSIONS





**Manual Control Unit - 3 Blower Speeds -  
A/C and Recirculation Push Buttons**



**Manual Control Unit - 3 Blower Speeds -  
A/C and Defroster Push Buttons**



**Manual Control Unit - 3 Blower Speeds -  
A/C Push Button**



**Manual Control Unit - Electronic Blower  
Speed - A/C and Recirculation Push Buttons**



**Manual Control Unit -  
Electronic Blower Speed - A/C Push Button**



**Automatic Control Unit -  
A/C and Recirculation Push Buttons**



**Electronic Thermostat - 3 Blower Speeds**



## Manual Control Unit - 3 Blower Speeds - A/C and Recirculation Push Buttons

PART NUMBER	P/N 12V	P/N 24V
Control Unit	V02.65.005	V02.65.005
Water Valve Kit	61.01.297	61.01.298
Connector and Pin Kit	61.01.318	61.01.318
Complete Kit (Relay not included)	Z01.65.009	Z01.65.010

### FUNCTIONAL OVERVIEW

This control unit is designed to manage the following functions:

- Heating (by rotating the temperature control knob)
- Ventilation (by rotating the air flow control knob; the speed control ventilation is supplied with 3 steps)
- Air conditioning (by pressing the relevant push button)
- Air recirculation (by pressing the relevant push button)



## Manual Control Unit - 3 Blower Speeds - A/C and Defroster Push Buttons

PART NUMBER	P/N 12V	P/N 24V
Control Unit	V02.65.006	V02.65.006
Water Valve Kit	61.01.297	61.01.298
Connector and Pin Kit	61.01.318	61.01.318
Complete Kit (Relay not included)	Z01.65.011	Z01.65.012

### FUNCTIONAL OVERVIEW

This control unit is designed to manage the following functions:

- Heating (by rotating the temperature control knob)
- Ventilation (by rotating the air flow control knob; the speed control ventilation is supplied with 3 steps)
- Air conditioning (by pressing the relevant push button)
- Defrost function (by pressing the relevant push button)



## Manual Control Unit - 3 Blower Speeds - A/C Push Button

PART NUMBER	P/N 12V	P/N 24V
Control Unit	V02.65.030	V02.65.030
Water Valve Kit	61.01.297	61.01.298
Connector and Pin Kit	61.01.318	61.01.318
Complete Kit (Relay not included)	Z01.65.055	Z01.65.056

### FUNCTIONAL OVERVIEW

This control unit is designed to manage the following functions:

- Heating (by rotating the temperature control knob)
- Ventilation (by rotating the air flow control knob; the speed control ventilation is supplied with 3 steps)
- Air conditioning (by pressing the relevant push button)



## Manual Control Unit - Electronic Blower Speed Regulator - A/C and Recirculation Push Buttons

PART NUMBER	P/N 12V	P/N 24V
Control Unit	V02.65.011	V02.65.011
Water Valve Kit	61.01.297	61.01.298
Electronic Blower Speed Kit	Z19.01.135	Z19.01.142
Connector and Pin Kit	61.01.318	61.01.318
Complete Kit (Relay not included)	Z01.65.021	Z01.65.022

### FUNCTIONAL OVERVIEW

This control unit is designed to manage the following functions:

- Heating (by rotating the temperature control knob)
- Ventilation (by rotating the air flow control knob; the ventilation is supplied with electronic blower speed regulator)
- Air conditioning (by pressing the relevant push button)
- Air recirculation (by pressing the relevant push button)



## Manual Control Unit - Electronic Blower Speed Regulator - A/C Push Button

PART NUMBER	P/N 12V	P/N 24V
Control Unit	V02.65.031	V02.65.031
Water Valve Kit	61.01.297	61.01.298
Electronic Blower Speed Kit	Z19.01.135	Z19.01.142
Connector and Pin Kit	61.01.318	61.01.318
Complete Kit (Relay not included)	Z01.65.057	Z01.65.058

### FUNCTIONAL OVERVIEW

This control unit is designed to manage the following functions:

- Heating (by rotating the temperature control knob)
- Ventilation (by rotating the air flow control knob; the ventilation is supplied with Electronic Blower Speed Regulator)
- Air conditioning (by pressing the relevant push button)



## Automatic Control Unit - A/C and Recirculation Push Buttons

PART NUMBER	P/N 12V	P/N 24V
Control Unit	V02.65.014	V02.65.014
Water Valve Kit	61.01.297	61.01.298
Electronic Blower Speed Kit	Z19.01.135	Z19.01.142
External Temperature Sensor	24.01.019	24.01.019
Internal Temperature Sensor	24.01.020	24.01.020
Connector and Pin Kit	61.01.318	61.01.318
Complete Kit (Relay not included)	Z01.65.027	Z01.65.028

### FUNCTIONAL OVERVIEW

This control unit is designed to manage the following functions:

- Heating (by rotating the temperature control knob)
- Ventilation (by rotating the air flow control knob; the ventilation is supplied with electronic blower speed regulator)
- Air conditioning (by pressing the relevant push button)
- Air recirculation (by pressing the relevant push button)

The software mathematical model receives information from 2 different temperature sensors:

- Cabin air sensor (internal)
- Outside air sensor (external)



## Electronic Thermostat - 3 Blower Speeds

PART NUMBER	P/N 12V	P/N 24V
Control Unit	V02.65.025	V02.65.025
Anti-icing Temperature Sensor	24.01.052	24.01.052
Connector and Pin Kit	61.01.318	61.01.318
Complete Kit (Relay not included)	Z01.65.049	Z01.65.050

### FUNCTIONAL OVERVIEW

This control unit is designed to manage the following functions:

- Air conditioning (by rotating the temperature control knob)
- Ventilation (by rotating the air flow control knob; the speed control ventilation is supplied with 3 steps)
- Air conditioning ON/OFF (by pressing the relevant push button)



**COMES** Electronic Climate Control  
Via Don Fracassi 25/27  
20008 Bareggio - Milano - Italy

P +39 02 90361787  
E [info@comesclima.it](mailto:info@comesclima.it)  
W [www.comesclima.it](http://www.comesclima.it)